

# Smart Energy Center



## Higher Revenue

- High-efficiency inverter topology
- Max. efficiency 98.6%
- European weighted efficiency 98.1%

## Simple & Easy

- 17 kg, allows one person simple installation
- Optimized AC connector for quick wiring
- Support WLAN (standard) & 4G/3G/2G (optional via 4G dongle) for data transmission
- Support remote ripple control

## Battery Ready

- Integrated plug-and-play energy storage interface

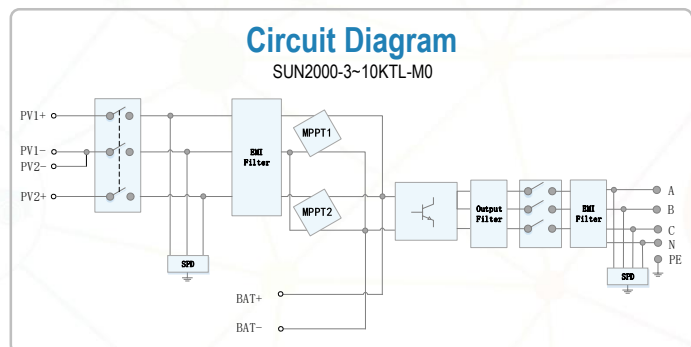
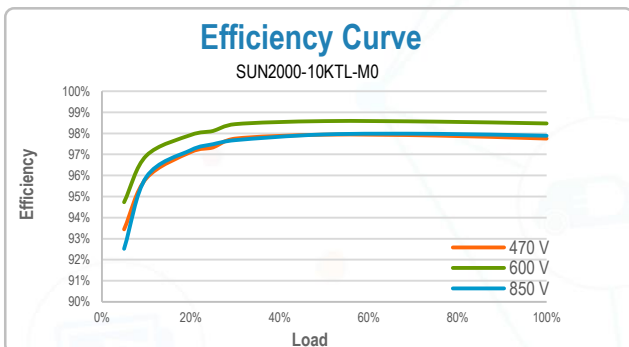
## Safe & Reliable

- IP65, natural convection
- Integrated lightning protection for both DC and AC

# SUN2000-3/4/5/6/8/10KTL-M0

Technical Specification	SUN2000-3KTL-M0 <sup>1</sup>	SUN2000-4KTL-M0 <sup>1</sup>	SUN2000-5KTL-M0	SUN2000-6KTL-M0	SUN2000-8KTL-M0 <sup>1</sup>	SUN2000-10KTL-M0 <sup>1</sup>
<b>Efficiency</b>						
Max. efficiency	98.2%	98.3%	98.4%	98.6%	98.6%	98.6%
European weighted efficiency	96.7%	97.1%	97.5%	97.7%	98.0%	98.1%
<b>Input</b>						
Recommended max. PV power	6,150 Wp	8,200 Wp	10,250 Wp	12,300 Wp	14,880 Wp	14,880 Wp
Max. input voltage	1,100 V					
Operating voltage range	140 V ~ 980 V					
Start-up voltage	200 V					
Full power MPPT voltage range	140 V ~ 850 V	190 V ~ 850 V	240 V ~ 850 V	285 V ~ 850 V	380 V ~ 850 V	470 V ~ 850 V
Rated input voltage	600 V					
Max. input current per MPPT	11 A					
Max. short-circuit current	15 A					
Max. number of inputs	2					
Number of MPP trackers	2					
<b>Output</b>						
Grid connection	Three-phase					
Rated output power	3,000 W	4,000 W	5,000 W	6,000 W	8,000 W	10,000 W
Max. apparent power (cosφ=1)	3,300 VA	4,400 VA	5,500 VA	6,600 VA	8,800 VA	11,000 VA <sup>2</sup>
Rated output voltage	220 Vac / 380 Vac, 230 Vac / 400 Vac, 3W / N+PE					
Rated AC grid frequency	50 Hz / 60 Hz					
Max. output current	5.1 A	6.8 A	8.5 A	10.1 A	13.5 A	16.9 A
Adjustable power factor	0.8 leading ... 0.8 lagging					
Max. total harmonic distortion	≤ 3%					
<b>Protections &amp; Features</b>						
Input-side disconnection device	Yes					
Insulation monitoring	Yes					
Anti-islanding protection	Yes					
DC reverse-polarity protection	Yes					
DC lightning protection	Yes					
AC lightning protection	Yes					
Residual current monitoring unit	Yes					
AC over-current protection	Yes					
AC short-circuit protection	Yes					
AC over-voltage protection	Yes					
Over-heat protection	Yes					
String fault detection	Yes					
Grid monitoring	Yes					
Remote ripple control	Yes					
Integrated PID recovery	Yes <sup>3</sup>					
<b>General Data</b>						
Operating temperature range	-25 ~ + 60 °C (-13 °F ~ 140 °F) (Derating above 45 °C @ Rated output power)					
Relative operating humidity	0 % RH ~ 100% RH					
Operating altitude	0 - 4,000 m (13,123 ft.) (Derating above 3000 m)					
Cooling method	Natural convection					
Display	LED Indicators; Integrated WLAN + FusionSolar App					
Communication	RS485; WLAN via Smart Dongle-WLAN; 4G / 3G / 2G via Smart Dongle-4G					
Weight (incl. mounting plate)	17 kg (39.5 lb)					
Dimensions (W x H x D) (incl. mounting plate)	525 * 470 * 166 mm (20.7 * 18.5 * 6.5 inch)					
Degree of protection	IP65					
<b>Battery Compatibility</b>						
Battery Interface	Integrated					
<b>Standard Compliance (more available upon request)</b>						
Safety	EN/IEC 62109-1, EN/IEC 62109-2					
Grid connection standards	VDE-AR-N-4105, CEI 0-21, C10/C11, AS/NZS 4777, UTE C15-712-1, EN 50438, NEN-EN 50438					

The text and figures reflect the current technical state at the time of printing. Subject to technical changes. Errors and omissions excepted. Huawei assumes no liability for mistakes or printing errors. For more information, please visit solar.huawei.com. Version No.:02-(20181129)



1: SUN2000-3KTL/4KTL/8KTL/10KTL-M0 is only available in Europe

2: VDE-AR-N-4105: 10,000 VA; C10 / 11: 10,000 VA

3: SUN2000-3~10KTL-M0 raises potential between PV- and ground to above zero through integrated PID recovery function to recover module degradation from PID. Supported module types include: P-type (mono, poly), N-type (nPERT, HIT)